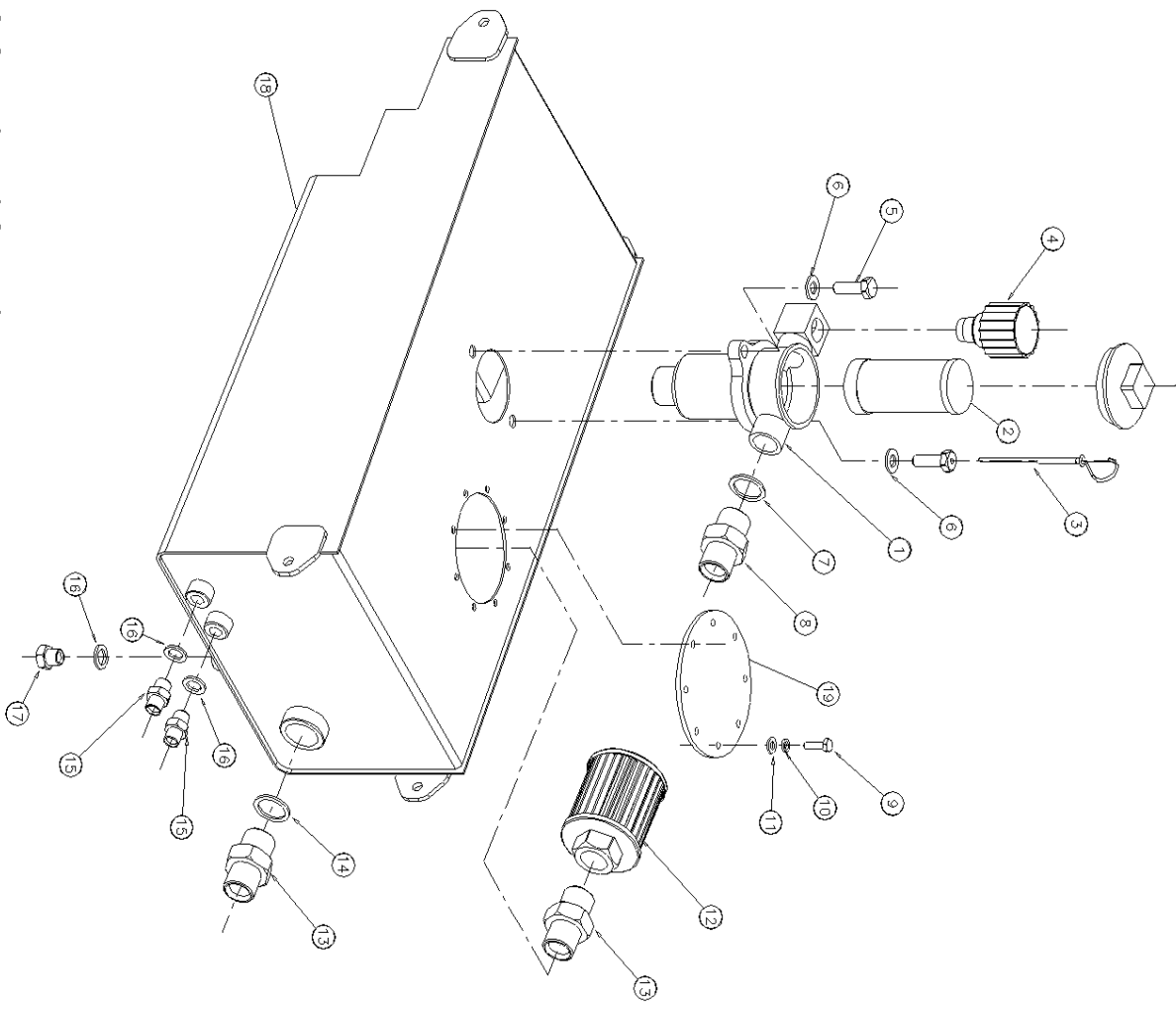


HIT 500 TRACK CARRIER OIL TANK

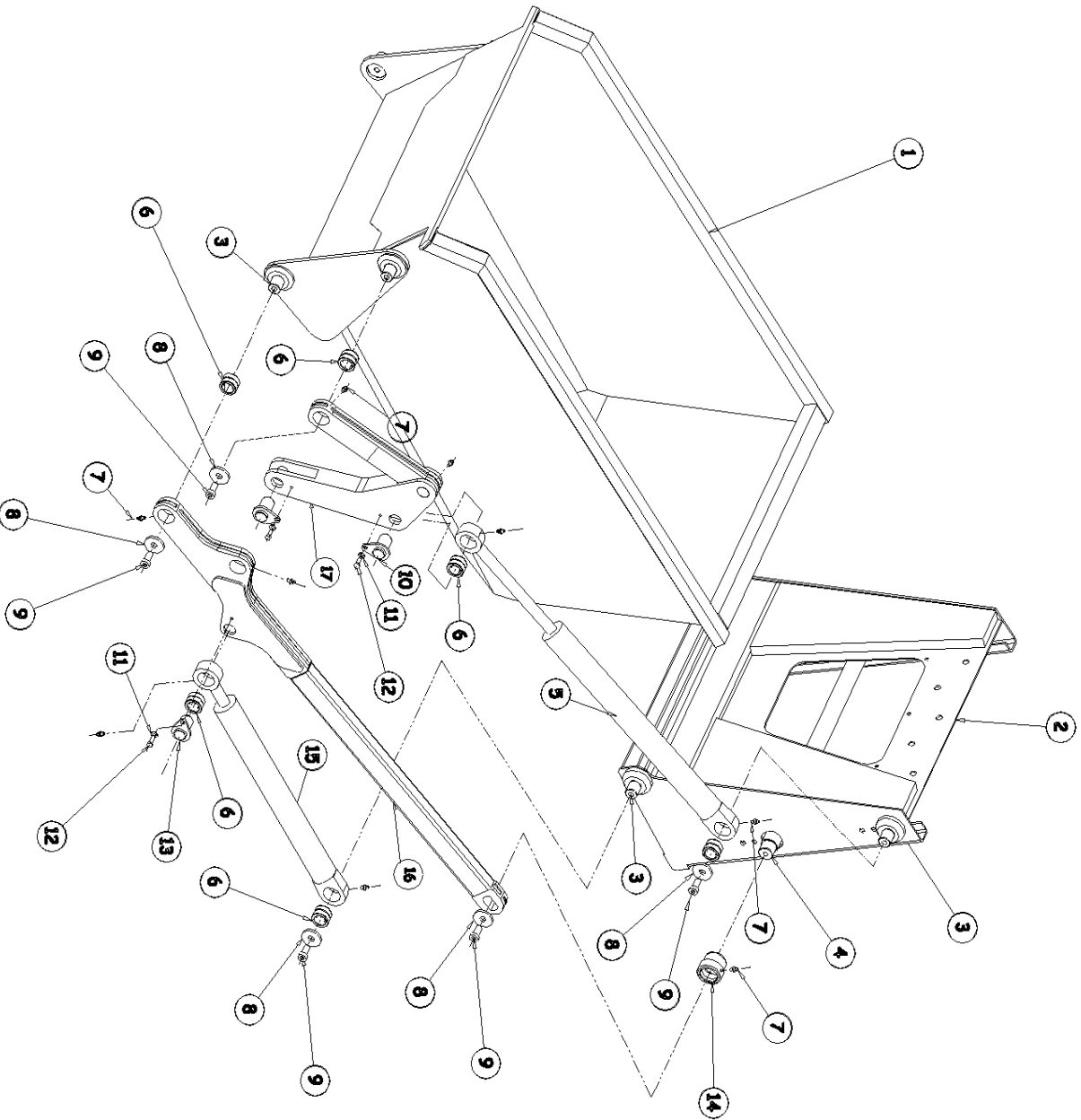


| ITEM NO: | PART NO: | DESCRIPTION: | QTY: |
|----------|----------|-----------------------|------|
| 1 | 63-0001 | FILTER ASSY C/W CAP | 1 |
| 2 | 63-0002 | REPLACEMENT FILTER | 1 |
| 3 | 63-0003 | DIPSTICK | 1 |
| 4 | 63-0004 | PRESSURISED BREATHER | 1 |
| 5 | 01-0001 | SET BOL T M10 X 35 | 1 |
| 6 | 02-0002 | M10 FLAT WASHER | 2 |
| 7 | 62-0011 | 1/2" BONDED WASHER | 1 |
| 8 | 62-0010 | 1/2" - 5/8" MALE MALE | 1 |
| 9 | 01-0002 | SET BOL T M6 X 20 | 8 |
| 10 | 02-0003 | M6 SPRING WASHER | 8 |
| 11 | 02-0004 | M6 FALT WASHER | 8 |
| 12 | 63-0005 | SUCTION FILTER | 1 |
| 13 | 62-0013 | 3/4" - 3/4" MALE MALE | 2 |
| 14 | 62-0014 | 3/4" BONDED WASHER | 1 |
| 15 | 62-0001 | 1/4" - 1/4" MALE MALE | 2 |
| 16 | 62-0002 | 1/4" BONDED WASHER | 3 |
| 17 | 62-0004 | DRAIN PLUG | 1 |
| 18 | 50-0001 | TANK BARE | 1 |
| 19 | 50-0002 | COVER PLATE TANK | 1 |
| 20 | PART NO: | DESCRIPTION: | QTY: |
| 21 | PART NO: | DESCRIPTION: | QTY: |
| 22 | PART NO: | DESCRIPTION: | QTY: |
| 23 | PART NO: | DESCRIPTION: | QTY: |
| 24 | PART NO: | DESCRIPTION: | QTY: |
| 25 | PART NO: | DESCRIPTION: | QTY: |

11/07/2002 15:10:34

PB1001 / 2001

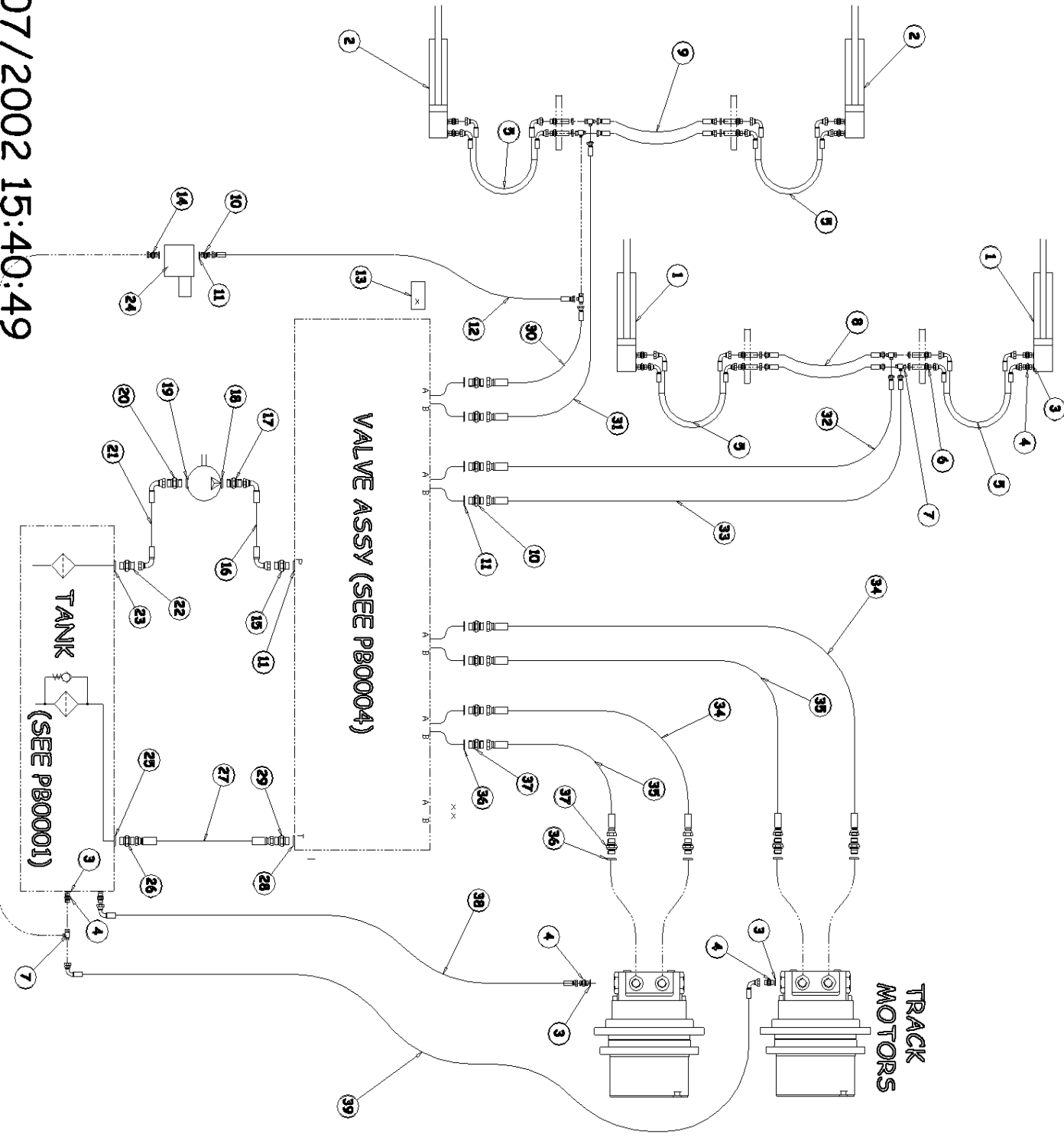
HIT 500 BODY & LIFT ARMS ASSY



| ITEM NO: | PART NO: | DESCRIPTION: | QTY: |
|----------|----------|-------------------------|------|
| 1 | 51-0001 | STANDARD BODY ASSY | 1 |
| 2 | 50-0005 | CHASSIS | 1 |
| 3 | 51-0002 | PIVOT | 8 |
| 4 | 51-0003 | GROSS SHAFT | 1 |
| 5 | 60-0015 | TOP CYLINDER LESS R/V | 1 |
| 6 | 20-0001 | BUSH | 14 |
| 7 | 02-0005 | GREASE NIPPLE | 18 |
| 8 | 02-0006 | CLAMP WASHER | 10 |
| 9 | 01-0003 | SOCKET HEAD SCREW | 10 |
| 10 | 50-0003 | CYLINDER PIN UPPER | 4 |
| 11 | 02-0004 | M6 FAL T WASHER | 6 |
| 12 | 01-0004 | M6 X 16 SET BOLT | 6 |
| 13 | 50-0004 | CYLINDER PIN LOWER | 2 |
| 14 | 20-0002 | GROSS SHAFT BUSH | 2 |
| 15 | 60-0016 | LOWER CYLINDER LESS R/V | 1 |
| 16 | 51-0018 | LOWER ARMS | 2 |
| 17 | 51-0016 | PIVOT LINKS | 2 |
| 18 | 60-0028 | TOP CYLINDER C/W R/V | 1 |
| 19 | 60-0029 | LOWER CYLINDER C/W R/V | 1 |
| 20 | | | |
| 21 | | | |
| 22 | | | |
| 23 | | | |
| 24 | | | |
| 25 | | | |

IPB1002 / 2001

HIT 500 HYDRAULIC HOSE KIT

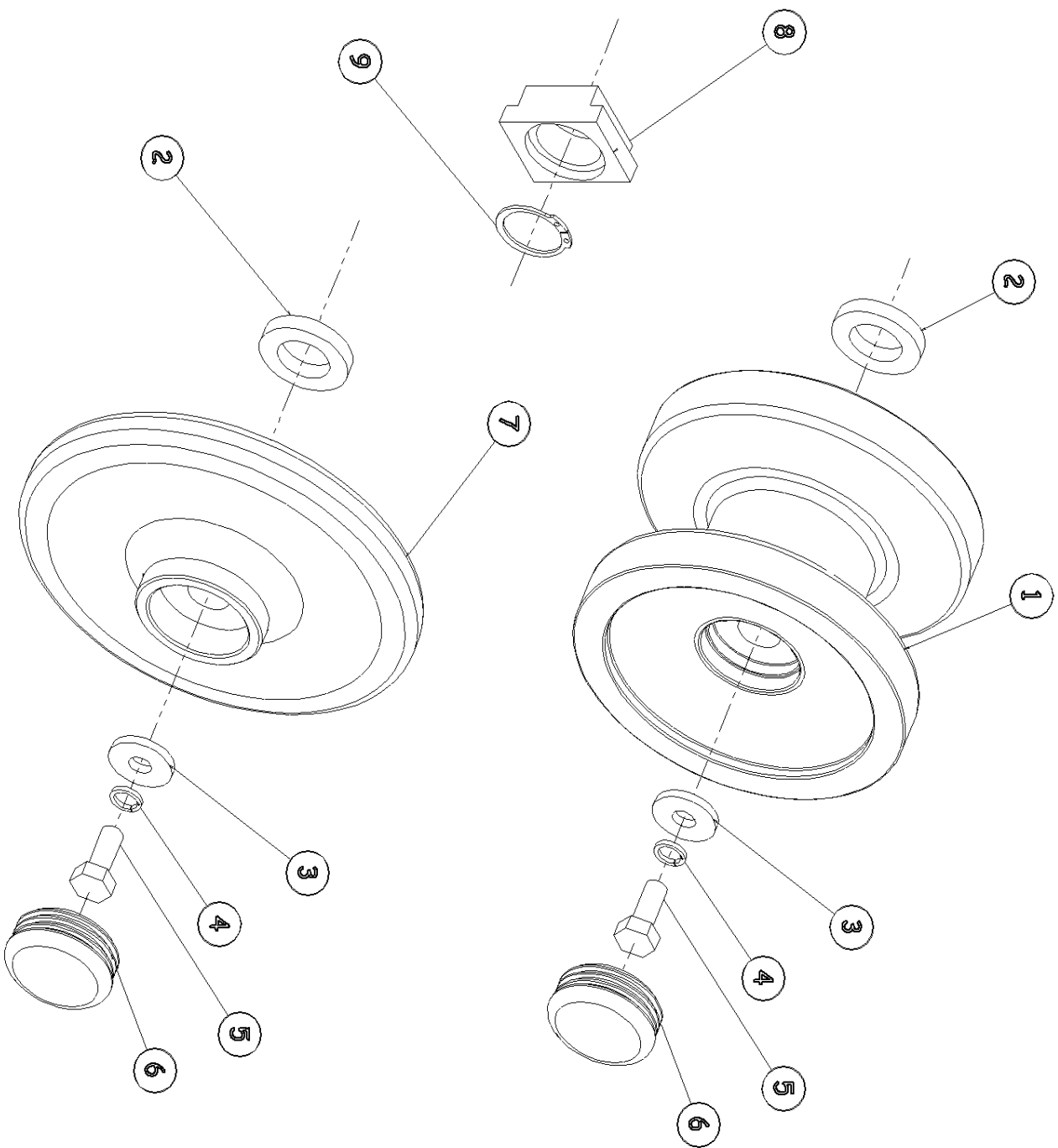


| ITEM NO: | PART NO: | DESCRIPTION: | QTY: |
|----------|----------|---------------------------|------|
| 1 | 60-0015 | TOP CYLINDERS | 2 |
| 2 | 60-0016 | LOWER CYLINDERS | 2 |
| 3 | 62-0001 | 1/4 MALE-MALE | 12 |
| 4 | 62-0002 | 1/4 BONDED WASHER | 21 |
| 5 | 62-0020 | LINK HOSES SLEEVED (PAIR) | 4 |
| 6 | 62-0005 | 1/4 BULKHEAD | 8 |
| 7 | 62-0003 | 1/4 TEE | 6 |
| 8 | 62-0018 | CROSS OVER CYLINDER HOSES | 2 |
| 9 | 62-0019 | CROSS OVER LOWER CYLINDER | 2 |
| 10 | 62-0031 | 3/8 1/4 MALE-MALE | 2 |
| 11 | 62-0008 | 3/8 BONDED WASHER | 2 |
| 12 | 62-0021 | HOSE UNIT | 1 |
| 13 | 62-0015 | TEST POINT | 1 |
| 14 | 62-0031 | 3/8 1/4 MALE-FEMALE | 1 |
| 15 | 62-0009 | 1/2 1/2 MALE-MALE | 1 |
| 16 | 62-0022 | HOSE UNIT | 1 |
| 17 | 62-0009 | 1/2 1/2 MALE-MALE | 1 |
| 18 | 62-0011 | 1/2 BONDED WASHER | 1 |
| 19 | 62-0014 | 3/4 BONDED WASHER | 1 |
| 20 | 62-0032 | 1/2 3/4 MALE-MALE | 2 |
| 21 | 62-0023 | HOSE UNIT | 1 |
| 22 | 62-0013 | 3/4 3/4 MALE-MALE | 21 |
| 23 | 62-0014 | 3/4 BONDED WASHER | 1 |
| 24 | 60-0017 | RELIEF VALVE (90-100 BAR) | 1 |
| 25 | 62-0011 | 1/2 BONDED WASHER | 1 |
| 26 | 62-0010 | 1/2 5/8 MALE-MALE | 1 |
| 27 | 62-0024 | HOSE UNIT | 1 |
| 28 | 62-0012 | 5/8 3/8 MALE-MALE | 1 |
| 29 | 62-0008 | 3/8 BONDED WASHERS | 1 |
| 30 | 62-0025 | HOSE UNIT | 1 |
| 31 | 62-0026 | HOSE UNIT | 1 |

11/07/2002 15:40:49

PB1010 / 2002

HIT 500 UNDERCARRIAGE BUSH 1100 HR SERVICE PACK

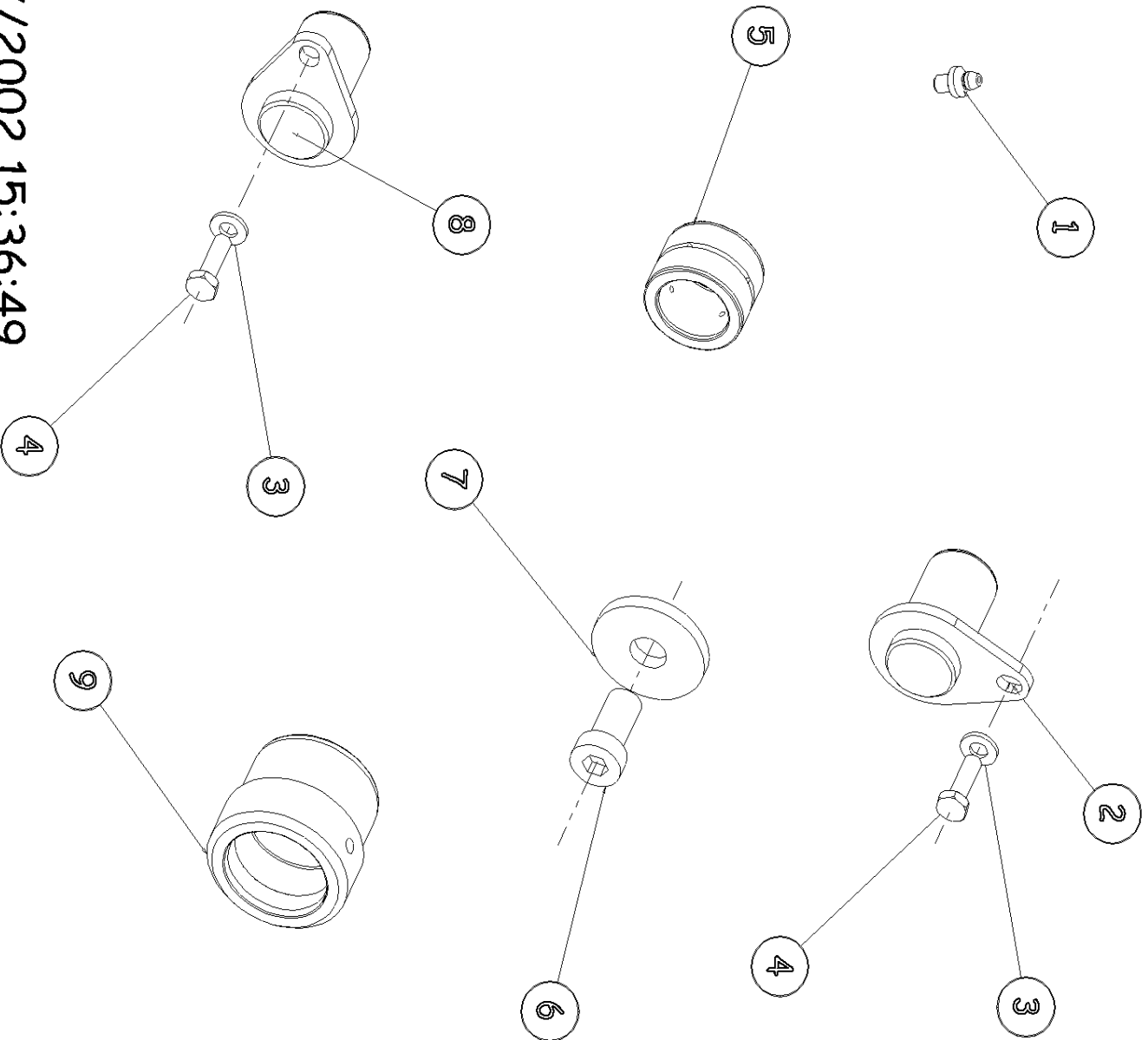


| ITEM NO: | PART NO: | DESCRIPTION: | QTY: |
|----------|----------|------------------|------|
| 1 | 51-0015 | LOWER IDLER | 6 |
| 2 | 20-0003 | SEAL | 8 |
| 3 | 02-0007 | LARGE WASHER | 8 |
| 4 | 02-0008 | SPRING WASHER | 8 |
| 5 | 01-0010 | M10 X 25 HT BOLT | 8 |
| 6 | 03-0001 | END CAP | 8 |
| 7 | 51-0011 | FRONT IDLER | 2 |
| 8 | 51-0012 | AXLE SLIDE | 2 |
| 9 | 02-0010 | CIR-CLIP DIN 471 | 2 |
| 10 | | | |
| 11 | | | |
| 12 | | | |
| 13 | | | |
| 14 | | | |
| 15 | | | |
| 16 | | | |
| 17 | | | |
| 18 | | | |
| 19 | | | |
| 20 | | | |
| 21 | | | |
| 22 | | | |
| 23 | | | |
| 24 | | | |
| 25 | | | |

11/07/2002 15:39:05

PB1009 / 2002

HIT 500 BUSH 1100 HR SERVICE PACK

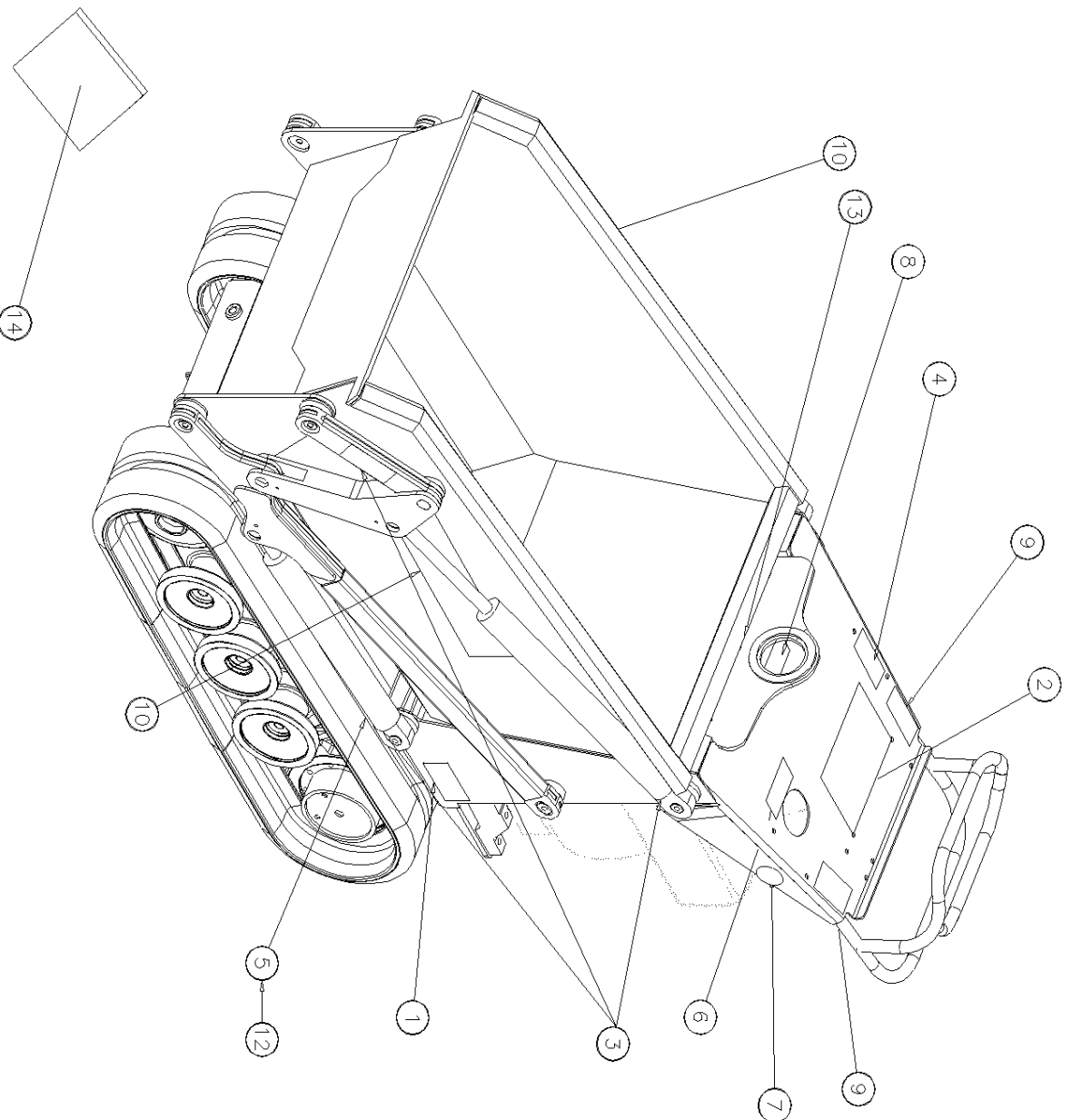


| ITEM NO: | PART NO: | DESCRIPTION: | QTY: |
|----------|----------|----------------------------|------|
| 1 | 02-0005 | GREASE NIPPLE | 18 |
| 2 | 50-0003 | CYLINDER PIN UPPER (LONG) | 4 |
| 3 | 02-0004 | M6 FLAT WASHER | 6 |
| 4 | 01-0004 | M6 X 16 SET BOLT | 2 |
| 5 | 20-0001 | PIVOT BUSH | 14 |
| 6 | 01-0003 | SOCKET HEAD SCREW | 10 |
| 7 | 02-0006 | CLAMP WASHER | 10 |
| 8 | 50-0004 | CYLINDER PIN LOWER (SHORT) | 2 |
| 9 | 20-0002 | GROSS SHAFT BUSH | 2 |
| 10 | | | |
| 11 | | | |
| 12 | | | |
| 13 | | | |
| 14 | | | |
| 15 | | | |
| 16 | | | |
| 17 | | | |
| 18 | | | |
| 19 | | | |
| 20 | | | |
| 21 | | | |
| 22 | | | |
| 23 | | | |
| 24 | | | |
| 25 | | | |

11/07/2002 15:36:49

PB1008 / 2002

HIT 500 DECALS

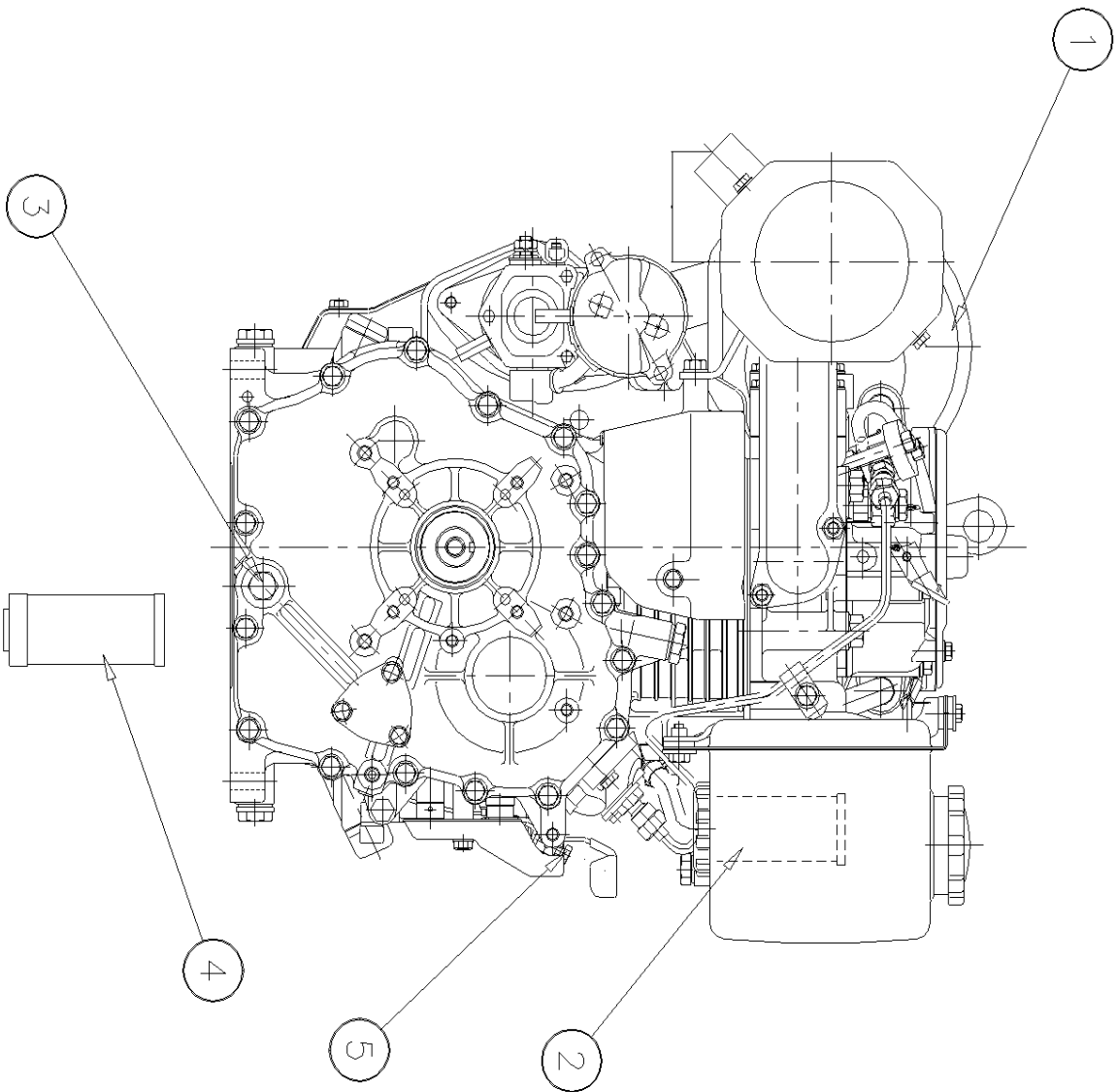


| ITEM NO: | PART NO: | DESCRIPTION: | QTY: |
|----------|----------|--------------------------------|------|
| 1 | 80-0001 | SERIAL DATA PLATE | 1 |
| 2 | 80-0002 | CONTROL PANEL DECAL | 1 |
| 3 | 80-0003 | WARNING GRUSH ZONE | 6 |
| 4 | 80-0004 | WARNING HOT EXHAUST | 2 |
| 5 | 80-0005 | HYDRAULIC OIL FILLER | 1 |
| 6 | 80-0006 | FUEL FILLER | 1 |
| 7 | 80-0007 | CE MARKING | 2 |
| 8 | 80-0008 | HOISTING POINT | 1 |
| 9 | 80-0009 | DANGER KEEP CLEAR | 2 |
| 10 | 80-0010 | LOGO BODY "H T 500" LEFT/RIGHT | 2 |
| 11 | 80-0011 | P T O (OPTIONAL) | 1 |
| 12 | 80-0012 | OIL FILTER AND DIPSTICK | 1 |
| 13 | 80-0013 | LARGE WARNING BODY | 1 |
| 14 | 80-0014 | OPERATION SAFETY MAINTENANCE 1 | 1 |
| 15 | 80-0015 | HI-LOW DECAL | 1 |
| 16 | | | |
| 17 | | | |
| 18 | | | |
| 19 | | | |
| 20 | | | |
| 21 | | | |
| 22 | | | |
| 23 | | | |
| 24 | | | |
| 25 | | | |

11/07/2002 15:34:17

PB1007 / 2002

HIT 500 TRACK CARRIER KUBOTA SERVICE KIT

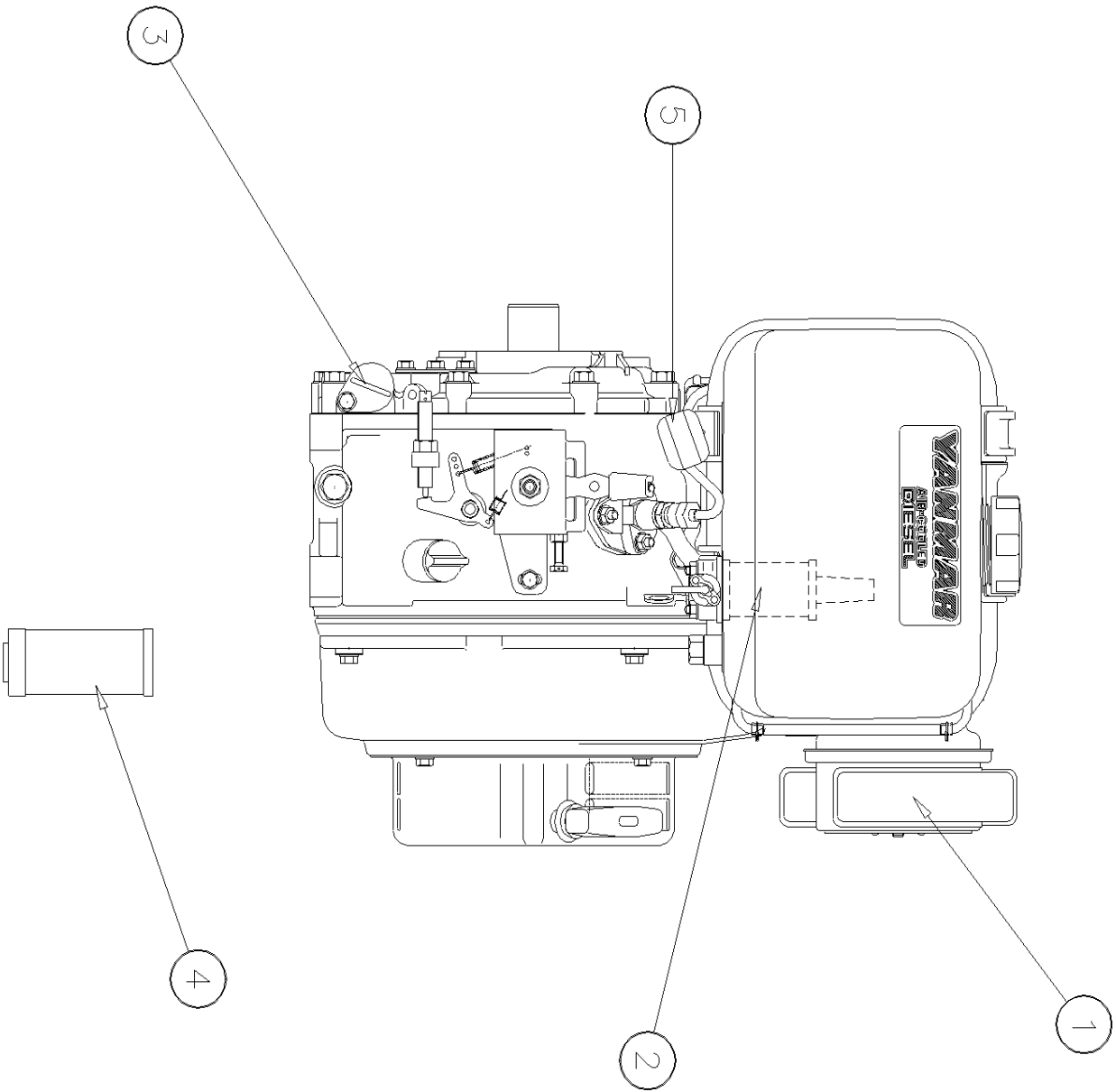


| ITEM NO: | PART NO: | DESCRIPTION: | QTY: |
|----------|----------|----------------------|------|
| 1 | 10-0005 | AIR CLEANER ELEMENT | 1 |
| 2 | 10-0006 | FUEL FILTER ASSY | 1 |
| 3 | 10-0007 | REUSABLE OIL FILTER | 1 |
| 4 | 63-0002 | HYDRAULIC OIL FILTER | 1 |
| 5 | 12-0005 | STOP SOLENOID COIL | 1 |
| 6 | | | |
| 7 | | | |
| 8 | | | |
| 9 | | | |
| 10 | | | |
| 11 | | | |
| 12 | | | |
| 13 | | | |
| 14 | | | |
| 15 | | | |
| 16 | | | |
| 17 | | | |
| 18 | | | |
| 19 | | | |
| 20 | | | |
| 21 | | | |
| 22 | | | |
| 23 | | | |
| 24 | | | |
| 25 | | | |

11/07/2002 15:29:38

PB1006 / 2002

HIT 500 TRACK CARRIER YANMAR SERVICE KIT

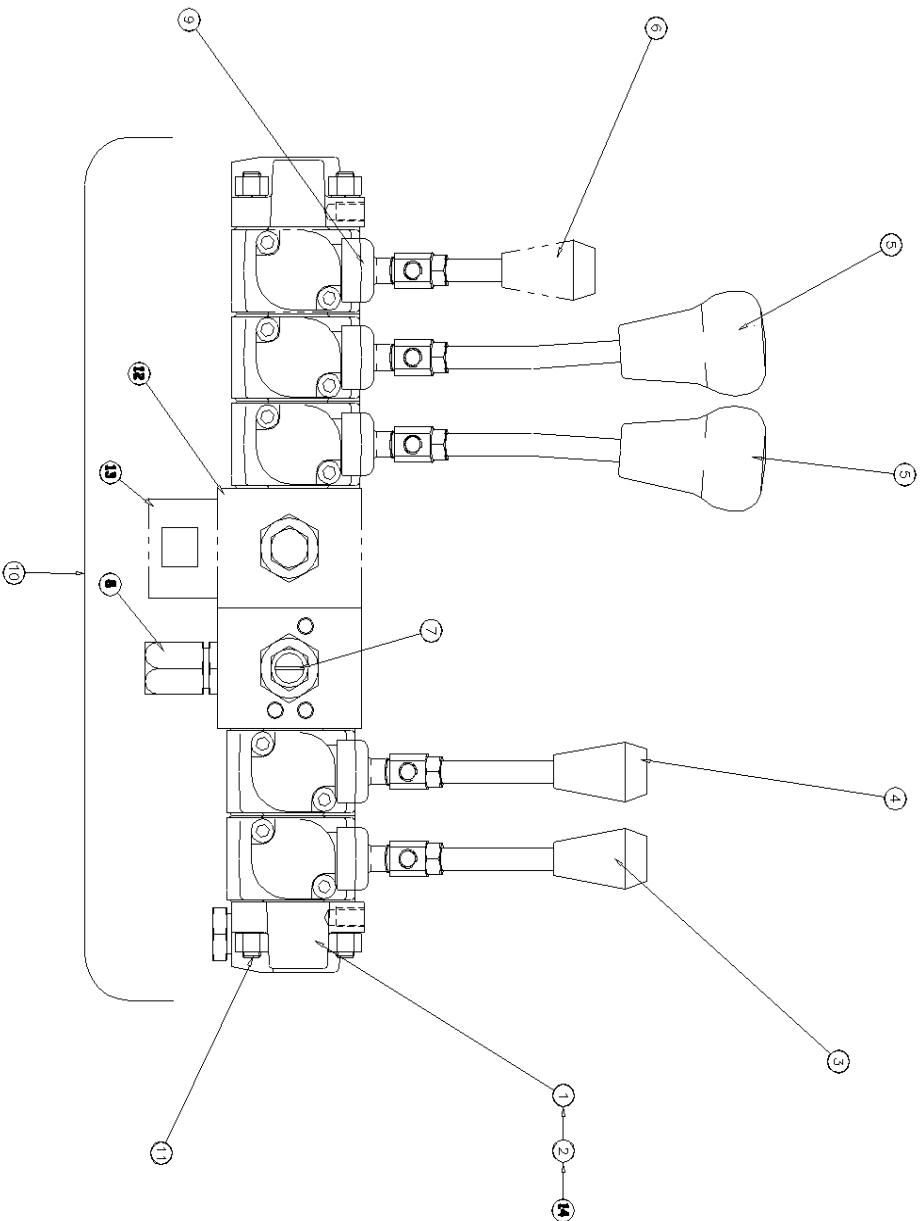


| ITEM NO: | PART NO: | DESCRIPTION: | QTY: |
|----------|----------|----------------------|------|
| 1 | 10-0003 | AIR CLEANER ELEMENT | 1 |
| 2 | 10-0002 | FUEL FILTER ASSY | 1 |
| 3 | 10-0004 | REUSABLE OIL FILTER | 1 |
| 4 | 63-0002 | HYDRAULIC OIL FILTER | 1 |
| 5 | 12-0004 | STOP SOLENOID COIL | 1 |
| 6 | | | |
| 7 | | | |
| 8 | | | |
| 9 | | | |
| 10 | | | |
| 11 | | | |
| 12 | | | |
| 13 | | | |
| 14 | | | |
| 15 | | | |
| 16 | | | |
| 17 | | | |
| 18 | | | |
| 19 | | | |
| 20 | | | |
| 21 | | | |
| 22 | | | |
| 23 | | | |
| 24 | | | |
| 25 | | | |

11/07/2002 15:26:41

PB1005 / 2002

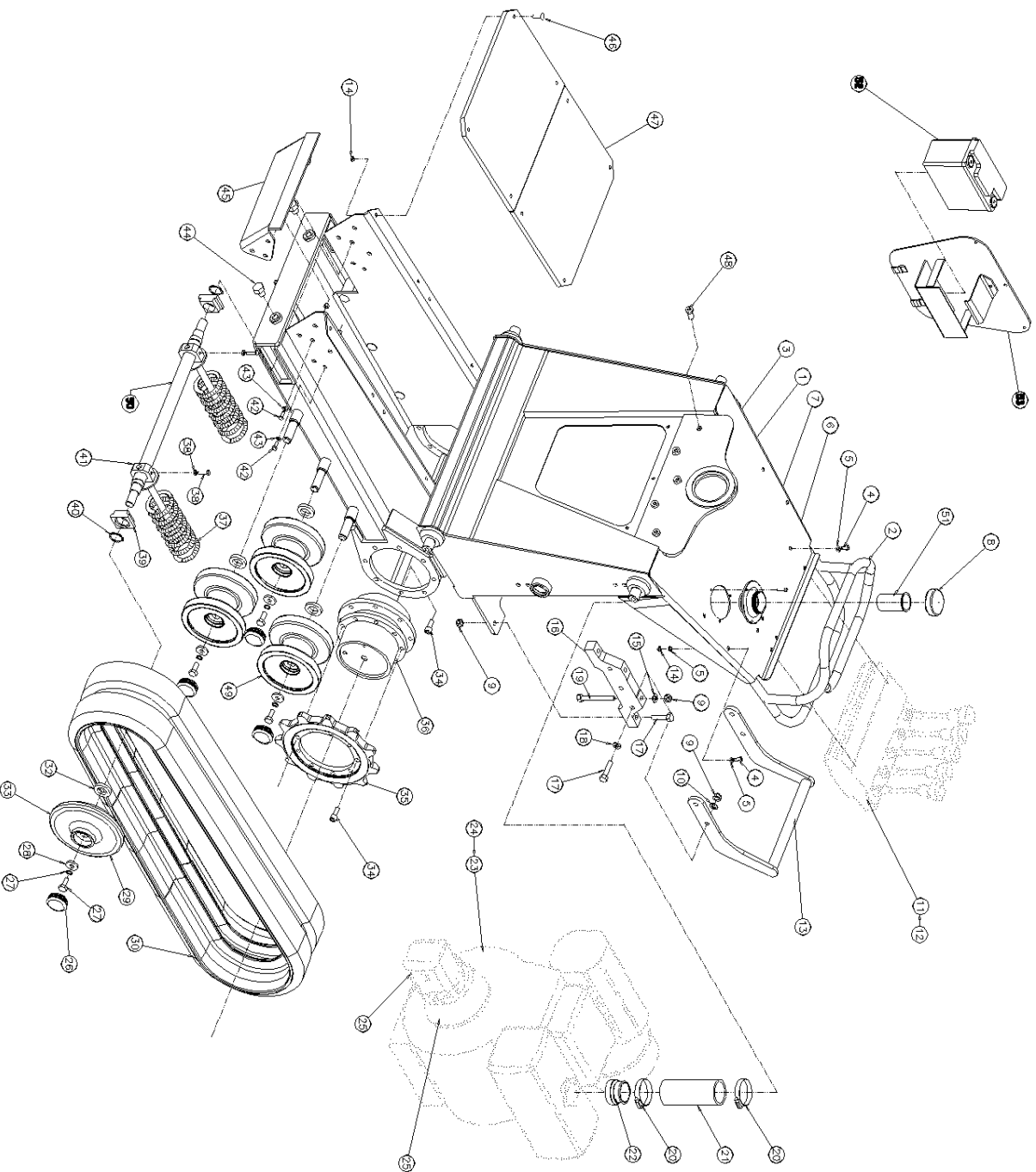
HIT 500 TRACK CARRIER VALVE ASSY



| ITEM NO: | PART NO: | DESCRIPTION: | QTY: |
|----------|-----------|----------------------------|------|
| 1 | 60-0003 | VALVE ASSY LESS PTO | 1 |
| 2 | 60-0004 | VALVE ASSY WITH PTO | 1 |
| 3 | 60-0023 | YELLOW CONTROL LEVER | 1 |
| 4 | 60-0020 | GREEN CONTROL LEVER | 1 |
| 5 | 60-0021 | BLACK CONTROL LEVER | 2 |
| 6 | 60-0022 | RED CONTROL LEVER | 1 |
| 7 | 60-0011 | FLOW DIVIDER CARTRIDGE | 1 |
| 8 | 60-0012 | RELIEF CARTRIDGE | 1 |
| 9 | 60-0013 | PIVOT ASSY | 5 |
| 10 | 60-0014 | SEAL KIT | 1 |
| 11 | 60-0024/5 | TVE ROD KIT (NO OF SLICES) | 1 |
| 12 | 60-0030 | TWO SPEED SECTION | 1 |
| 13 | 60-0031 | SOLENOID TWO SPEED | 1 |
| 14 | 60-0032 | VALVE ASSY TWO SPEED | 1 |
| 15 | | | |
| 16 | | | |
| 17 | | | |
| 18 | | | |
| 19 | | | |
| 20 | | | |
| 21 | | | |
| 22 | | | |
| 23 | | | |
| 24 | | | |
| 25 | | | |

PB1004 / 2002

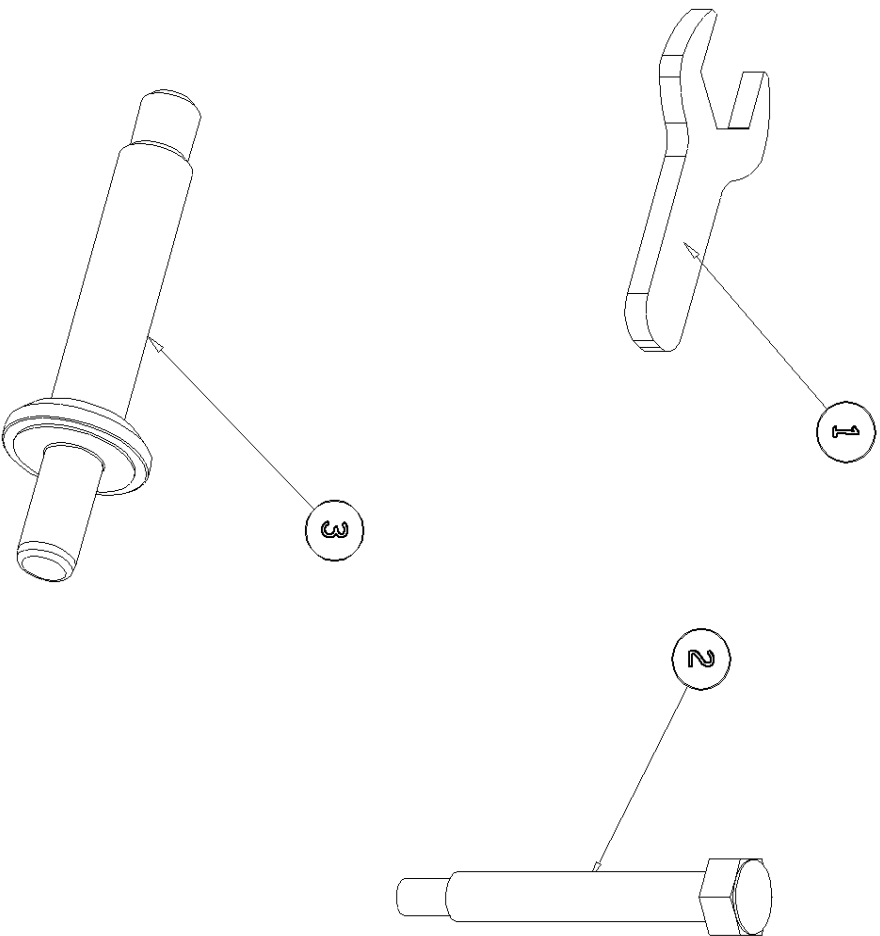
HIT 500 CHASSIS & TRACKS ASSY



| ITEM NO: | PART NO: | DESCRIPTION: | QTY: |
|----------|------------|--------------------------|------|
| 1 | 50-0005 | FULL CHASSIS ASSY | 1 |
| 2 | 51-0004 | GRAB BAR | 1 |
| 3 | 51-0005 | LIFTING EYE | 1 |
| 4 | 01-0005 | M8 X 20 SET BOLT | 18 |
| 5 | 02-0011 | M8 FLAT WASHER | 32 |
| 6 | 01-0016 | M5 X 20 CAP HEAD | 3 |
| 7 | 51-0006 | FUEL FILLER | 1 |
| 8 | 51-0007 | FUEL CAP | 1 |
| 9 | 01-0006 | M10 NYLOC | 12 |
| 10 | 02-0002 | M10 FLAT WASHER | 8 |
| 11 | 60-0003 | VALVE BLOCK LESS P.T.O | 1 |
| 12 | 60-0004 | VALVE BLOCK WITH P.T.O | 1 |
| 13 | 51-0008 | RECOIL PROTECTOR | 1 |
| 14 | 01-0007 | M8 NYLOC | 22 |
| 15 | 02-0002 | M10 FLAT WASHER | 4 |
| 16 | 51-0009 | ENGINE MOUNT | 2 |
| 17 | 01-0008 | M10 X 50 BOLT | 4 |
| 18 | 02-0002 | M10 FLAT WASHER | 4 |
| 19 | 01-0009 | M10 X 90 BOLT | 4 |
| 20 | 03-0003 | HOSE CLIP | 2 |
| 21 | 62-0026 | FUEL HOSE | 1 |
| 22 | 51-0010/20 | FUEL NECK (STATE ENGINE) | 1 |
| 23 | 12-0001 | YANMAR | 1 |
| 24 | 12-0002 | KUBOTA | 1 |
| 25 | 60-0005 | PUMP HOUSING | 1 |

PB1003 / 2002

HIT 500 TRACK CARRIER SERVICE TOOL'S



| ITEM NO: | PART NO: | DESCRIPTION: | QTY: |
|----------|----------|---------------------|------|
| 1 | 90-0002 | OIL FILTER SPANNER | 1 |
| 2 | 90-0001 | M16 JACKING BOLTS | QTY: |
| 3 | 90-0003 | SEAL INSERTING TOOL | QTY: |
| 4 | PART NO: | DESCRIPTION: | QTY: |
| 5 | PART NO: | DESCRIPTION: | QTY: |
| 6 | PART NO: | DESCRIPTION: | QTY: |
| 7 | PART NO: | DESCRIPTION: | QTY: |
| 8 | PART NO: | DESCRIPTION: | QTY: |
| 9 | PART NO: | DESCRIPTION: | QTY: |
| 10 | PART NO: | DESCRIPTION: | QTY: |
| 11 | PART NO: | DESCRIPTION: | QTY: |
| 12 | PART NO: | DESCRIPTION: | QTY: |
| 13 | PART NO: | DESCRIPTION: | QTY: |
| 14 | PART NO: | DESCRIPTION: | QTY: |
| 15 | PART NO: | DESCRIPTION: | QTY: |
| 16 | PART NO: | DESCRIPTION: | QTY: |
| 17 | PART NO: | DESCRIPTION: | QTY: |
| 18 | PART NO: | DESCRIPTION: | QTY: |
| 19 | PART NO: | DESCRIPTION: | QTY: |
| 20 | PART NO: | DESCRIPTION: | QTY: |
| 21 | PART NO: | DESCRIPTION: | QTY: |
| 22 | PART NO: | DESCRIPTION: | QTY: |
| 23 | PART NO: | DESCRIPTION: | QTY: |
| 24 | PART NO: | DESCRIPTION: | QTY: |
| 25 | PART NO: | DESCRIPTION: | QTY: |